

SPECIFICATION (PRELIMINARY)

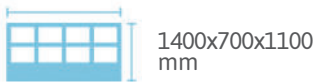
CTE TRACCESS 270



27 m*



230 kg



1400x700x1100 mm



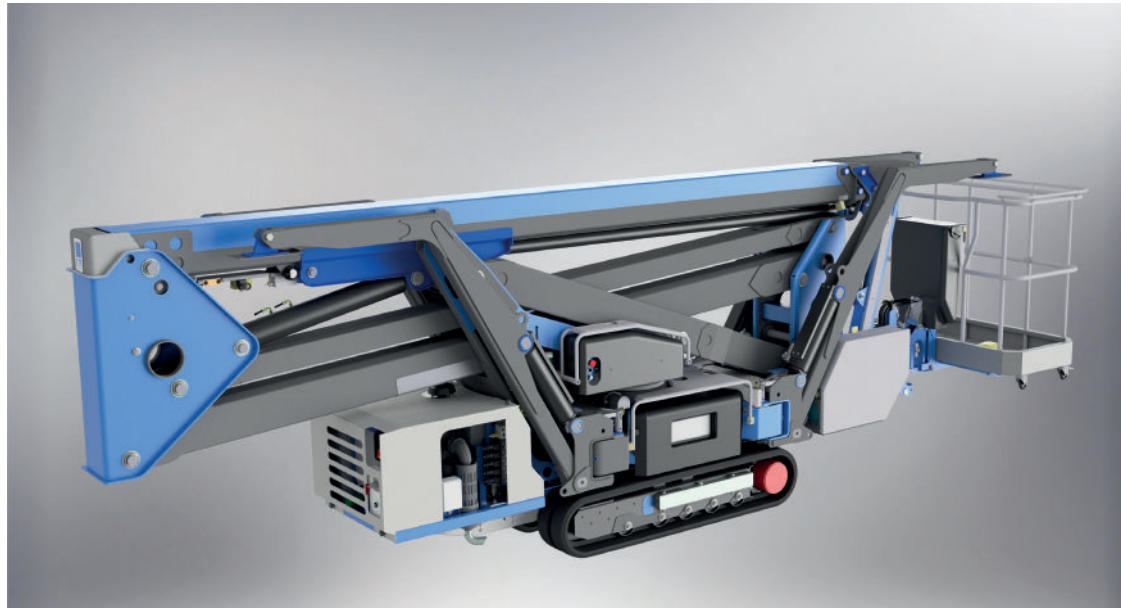
14 m*



25 m

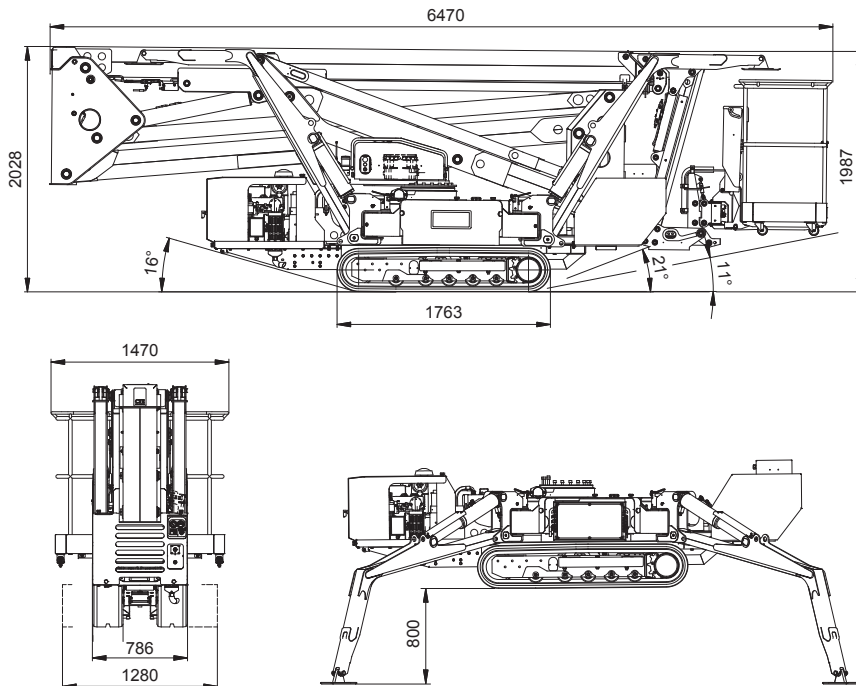


4350 kg

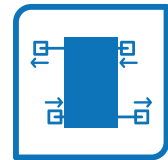


* outreach and height max values and repeatability can change within $\pm 3\%$ due to manufacturing variation and working condition.

DIMENSIONS



UNRESTRICTED WORKING AREA



THE MOST VERSATILE STABILISER CONFIGURATION



WINCH with 230 KG LIFTING CAPACITY



DOORWAY ACCESS



DIFFERENT POWER SOURCES AVAILABLE



CTE S.p.A.

Headquarter 7 Via Caproni - Rovereto (TN) IT, 38068

Ph. +39 0464 48.50.50 - Fax +39 0464 48.50.99

info@ctelift.com - www.ctelift.com

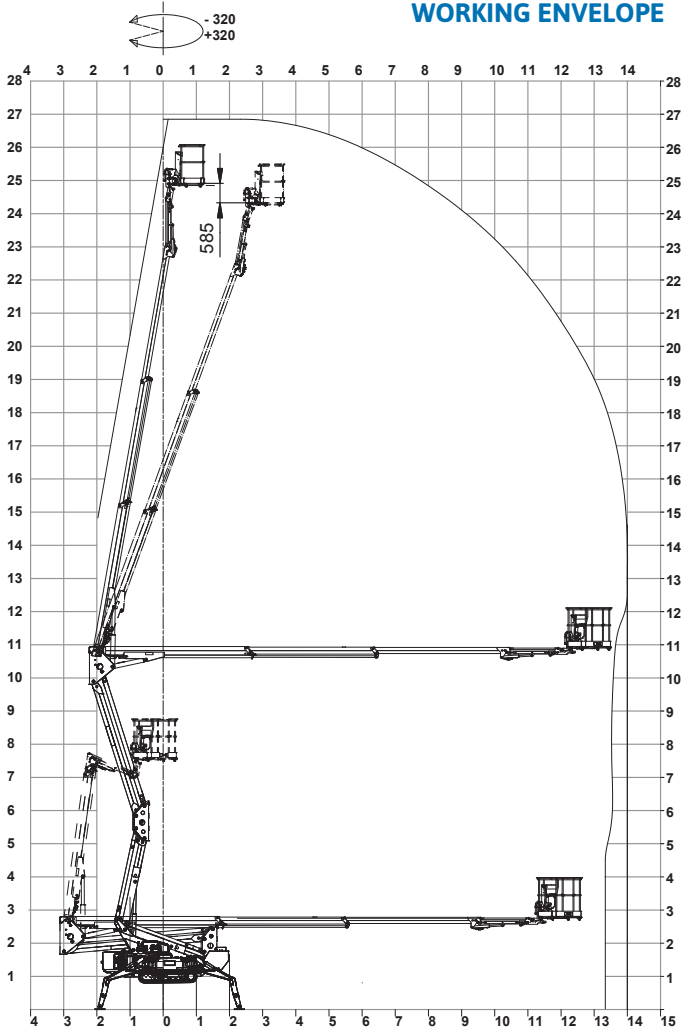
Factory 5 Loc. Terramatta - Rivoli Veronese (VR) IT, 37010

CTE UK Ltd Enderby Leicestershire - UK

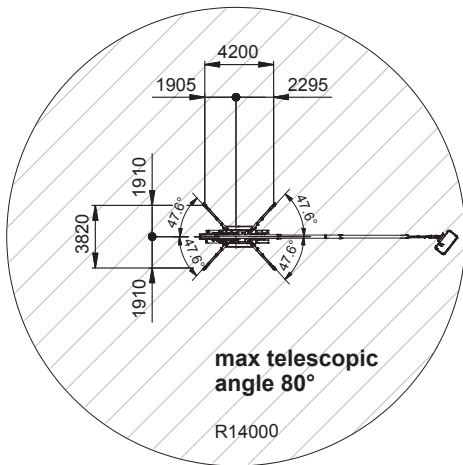
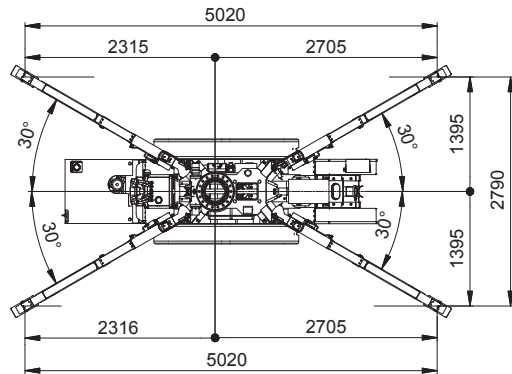
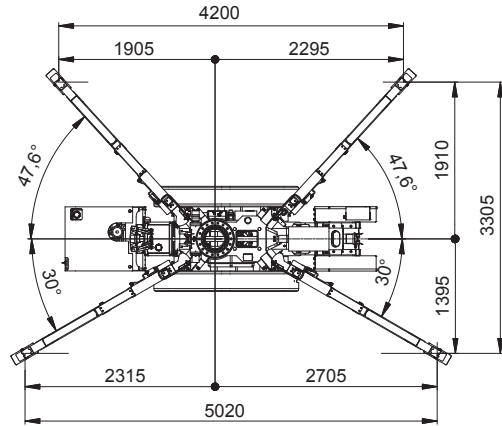
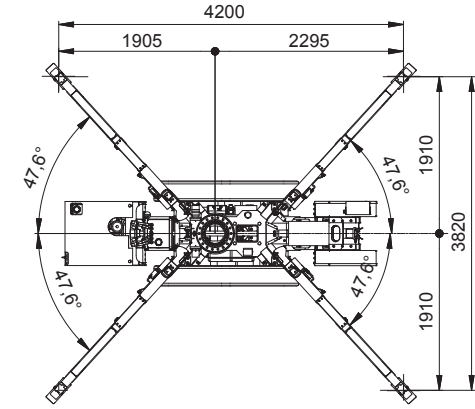
SPECIFICATION (PRELIMINARY)

CTE TRACCESS 270

WORKING ENVELOPE



OUTRIGGER FOOTPRINT



Product specifications are subject to change without notice or obligation. Technical features and drawings in this brochure are for illustrative purposes only. TRACCESS 270 - ed. 08/19