



# EFL302/EFL352

## Li-Ion Counterbalance Forklift Truck 3.0/3.5T



- IC forklift design with li-ion technology
- Big tyres & high ground clearance
- Simple components for easy service & maintenance
- Li-Ion battery for opportunity charging & flexibility
- Outdoor & indoor: the most flexible forklift in the industry

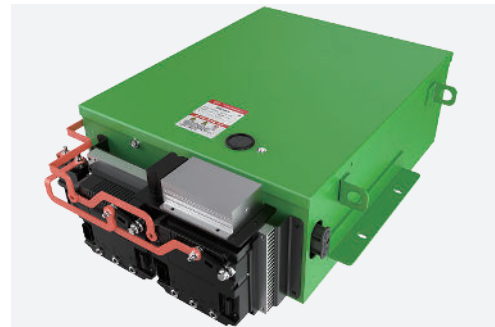
**EP EQUIPMENT CO.,LTD**  
[www.ep-equipment.com](http://www.ep-equipment.com)



## FEATURE

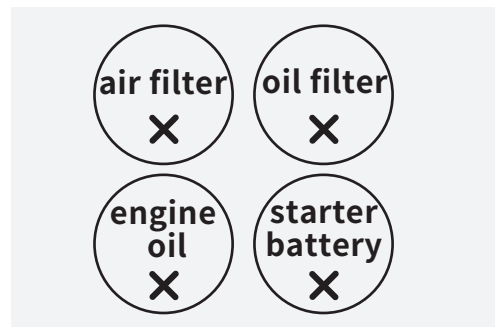
### ■ Lithium-ion technology

EFL302/352 adapts LFP Li-ion battery that prevents the battery from self-ignition and ensures safety operation. EFL302/352 supports opportunity charging so it can be charged at preferable time during the day without disrupting working schedules.



### ■ Low TCO

Comparing to a diesel forklift truck, EFL302/352 saves 30%-50% of energy cost with li-ion technology. And there is no maintenance fee with no air filter, oil filter, engine oil or starter battery installed on the truck.



### ■ Easy driving

The truck is equipped with mechanical braking system. The system shortens the braking distance to ensure safety while reducing the driving fatigue in the meantime.



### ■ IPX4 rated water-protected design

The EFL302/352 is IPX4 rated and that protects the trucks from splash of water from different angles. The waterproofed design allows the trucks to be operated outdoors, even in the rain.



### ■ Telematics

EFL302/352 offers EP's latest Telematics. It provides the following features to facilitate your fleet management:

- Truck location in real-time
- Reports of truck usages and diagnosis
- Li-ion battery condition analytics
- Updates on card access registration

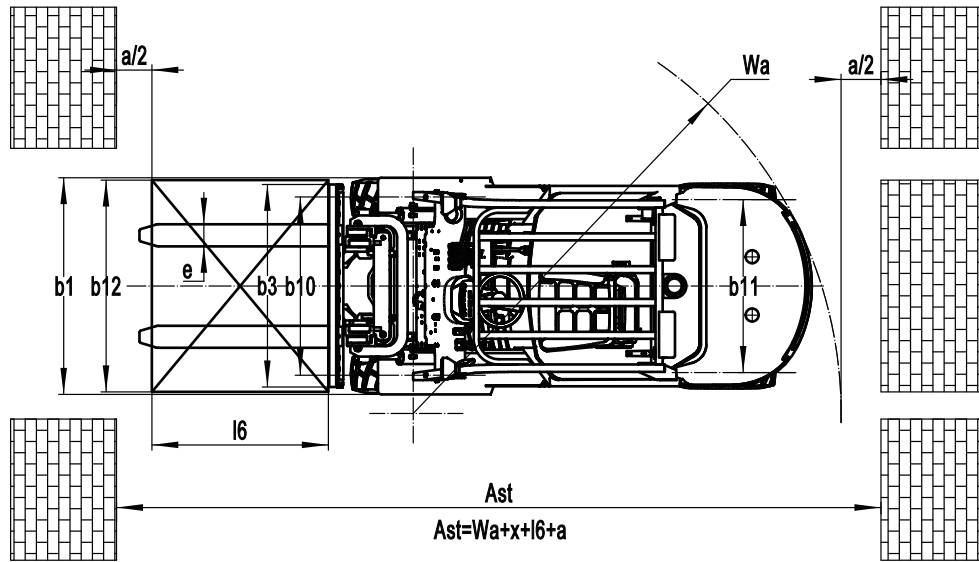
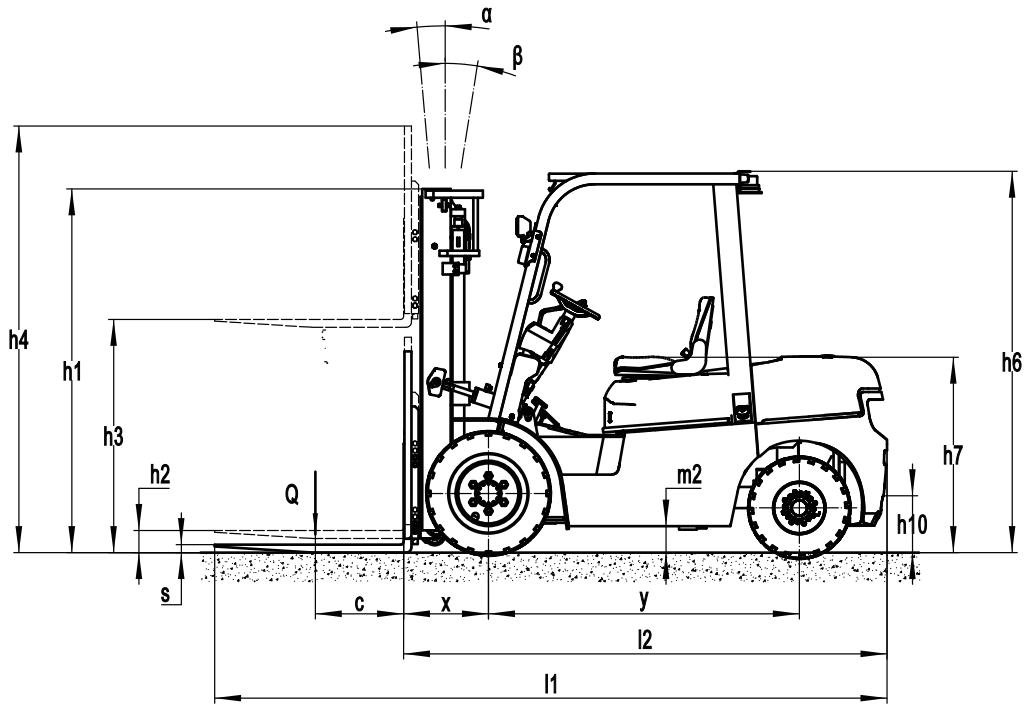


# Electric Counterbalance Forklift Truck 3.0/3.5T

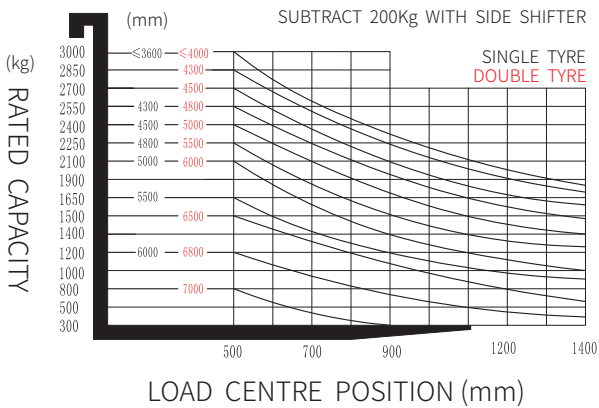
## EFL302/EFL352

Distinguishing mark	1.1	Manufacturer			EP	EP
	1.2	Model designation			EFL302	EFL352
	1.3	Drive			Electric	Electric
	1.4	Operator type			Seated	Seated
	1.5	Load capacity	Q	kg	3000	3500
	1.6	Load center distance	c	mm	500	500
	1.8	Load distance, centre of drive axle to fork	x	mm	481	481
	1.9	Wheelbase	y	mm	1750	1810
	Service weight	2.1	Service weight		kg	4080
2.2		Axle loading, laden front/rear		kg	6420/660	7100/960
2.3		Axle loading, unladen front/rear		kg	1740/2340	1670/2890
Tyres/chassis	3.1	Tyre type			Solid rubber	Solid rubber
	3.2	Tyre size, front			28X9-15	28X9-15
	3.3	Tyre size, rear			6.50-10	6.50-10
	3.5	Wheels, number front/rear (x=drive wheels)		mm	2x/ 2	2x/ 2
	3.6	Tread width, front	b10	mm	1010	1010
	3.7	Tread width, rear	b11	mm	980	980
Dimensions	4.1	Tilt of mast/fork carriage forward/backward	$\alpha/\beta$	°	6/ 10	6/ 10
	4.2	Retracted mast height	h1	mm	2070	2070
	4.3	Free lift	h2	mm	120	120
	4.4	Lift height	h3	mm	3000	3000
	4.5	Height, mast extended	h4	mm	4110	4110
	4.7	Height of overhead guard (cabin)	h6	mm	2160	2190
	4.8	Seat height/standing height	h7	mm	1130	1130
	4.12	Tow coupling height	h10	mm	320	320
	4.19	Overall length	l1	mm	3780	3940
	4.20	Length to face of forks	l2	mm	2710	2870
	4.21	Overall width	b1/b2	mm	1230	1230
	4.22	Fork dimensions	s/e/l	mm	45×122×1070	50×122×1070
	4.23	A,B Fork carriage class/type A, B			3A	3A
	4.24	Fork carriage width	b3	mm	1150	1150
	4.31	Ground clearance, laden, below mast	m1	mm	120	120
	4.32	Ground clearance, center of wheelbase	m2	mm	150	150
	4.34.1	Aisle width for pallets 1000×1200 crossways	Ast	mm	4181	4326
	4.34.2	Aisle width for pallets 800×1200 lengthways	Ast	mm	4381	4526
	4.35	Turning radius	Wa	mm	2500	2645
Performance data	5.1	Travel speed, laden/unladen		km/h	11/12	11/12
	5.2	Lifting speed, laden/unladen		m/s	0.29/0.36	0.26/0.34
	5.3	Lowering speed, laden/unladen		m/s	0.4/0.43	0.4/0.43
	5.5	Drawbar pull, laden/unladen		N	—	—
	5.6	Max. drawbar pull, laden/unladen		N	—	—
	5.8	Max. gradeability, laden/unladen		%	15/15	15/15
Electric-engine	5.10	Service brake			Hydraulic	Hydraulic
	5.11	Parking brake			Mechanical	Mechanical
	6.1	Drive motor rating S2 60 min		kW	10	10
	6.2	Lift motor rating at S3 15%		kW	16	16
	6.4	Battery voltage/nominal capacity		V/Ah	80V205AH	80V280AH
Addition data	6.5	Battery weight		kg	—	—
	8.1	Type of drive control			AC	AC
	10.5	Steering design			Hydraulic	Hydraulic
	10.7	Sound pressure level at the driver's ear		dB(A)	< 74	< 74

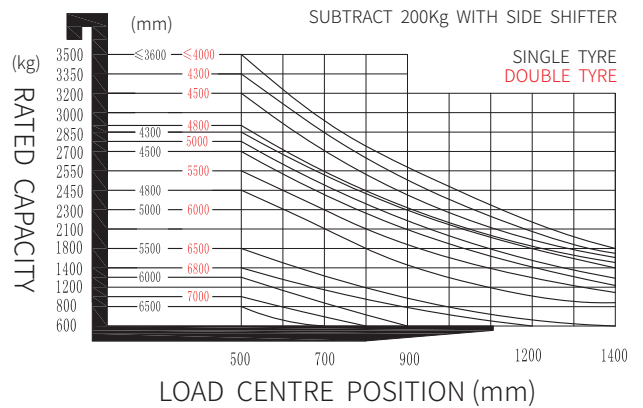
If there are improvements of technical parameters or configurations, no further notice will be given.  
The diagram shown may contain non-standard configurations.



**EFL302**  
RATED CAPACITIES AND LOAD CENTERES GRAPH



**EFL352**  
RATED CAPACITIES AND LOAD CENTERES GRAPH



# Mast Option

Mast types	Lift height (h3)	Height, Mast			Height, Free lift(h2)	
		Height, mast lowered(h1)	Height, mast extended(h4)		No shelving	With shelving
	No shelving		With shelving	mm		
2-Standard Mast	2700	1910	3330	3795	120	120
	3000	2060	3630	4095	120	120
	3300	2210	3930	4395	120	120
	3500	2310	4130	4595	120	120
	3600	2360	4230	4695	120	120
	4000	2610	4630	5095	120	120
	4300	2760	4930	5395	120	120
	4500	2860	5130	5595	120	120
2-Free Mast	3000	2040	3630	4095	1410	945
	3300	2190	3930	4395	1560	1095
	3600	2340	4230	4695	1710	1245
3-Free Mast	4300	2040	4930	5395	1410	945
	4500	2120	5130	5595	1490	1025
	4800	2225	5430	5895	1595	1130
	5000	2310	5630	6095	1680	1215
	5500	2560	6130	6595	1930	1465
	6000	2810	6630	7095	2180	1715

# Option

No.	Optional Items	EFL302	EFL352
1.1	Fork dimension	<input type="checkbox"/> 122*45*1070 <input type="checkbox"/> 122*45*1150 <input type="checkbox"/> 122*45*1220 <input type="checkbox"/> 122*45*1370 <input type="checkbox"/> 122*45*1520 <input type="checkbox"/> 122*45*1600 <input type="checkbox"/> 122*45*1700 <input type="checkbox"/> 122*45*1820 <input type="checkbox"/> 122*45*2000 <input type="checkbox"/> 122*45*2200 <input type="checkbox"/> 122*45*2400	<input type="checkbox"/> 122*50*1070 <input type="checkbox"/> 122*50*1150 <input type="checkbox"/> 122*50*1220 <input type="checkbox"/> 122*50*1370 <input type="checkbox"/> 122*50*1520 <input type="checkbox"/> 122*50*1600 <input type="checkbox"/> 122*50*1700 <input type="checkbox"/> 122*50*1820 <input type="checkbox"/> 122*50*2000 <input type="checkbox"/> 122*50*2200 <input type="checkbox"/> 122*50*2420
1.4	Fork carriage width	●1100mm○Yes and can be customized	
1.5	Fork carriage height	●1095mm○Yes and can be customized	
2.5	Front wheel material	○Pneumatic○solid○Non-marking	
2.6	Rear wheel material	○Pneumatic○solid○Non-marking	
2.7	Battery capacity	○80V205AH○80V280AH○80V410AH	○80V280AH○80V410AH
2.8	Charger	○80V35A○80V65A○80V130A○80V200A○80V35A integrated○80V60A integrated	
2.9	Battery indicator	●With time	
2.10	Seat type	<input type="checkbox"/> Regular <input type="checkbox"/> Premium <input type="checkbox"/> Suspension <input type="checkbox"/> Suspension+seatbelt logic switch <input type="checkbox"/> Suspension seat with armrest(KL01)	
2.11	Attachments	●No○Built-in sideshifter○External shifter○Fork positioner	
2.13	Traction pin	●Yes	
3.5	Front lamp	●LED	
3.6	Rear lamp	●No○LED	
3.7	Warning lamp	●Yes	
3.8	Steering lamp	●Yes	
3.9	Blue lamp	●No○2 front○1 rear○2 front + 1 rear	
3.10	Area warning lamp	●No○Red, 1 left + 1 right	
3.11	Rearview mirror	●1 in the middle○Add rearview mirror on both sides	
3.12	Horn	●Yes	
3.17	OPS system	●Yes	
3.23	Telematics	●No○Yes and not customized	
4.3	Cabin	●No○Basic half cabin○Upgrade hald cabin○Full cabin	
4.9	Heater	●No○Yes and not customized	

Note: ●Standard ○ Optional - Inconformity